

* ...part of the delivery

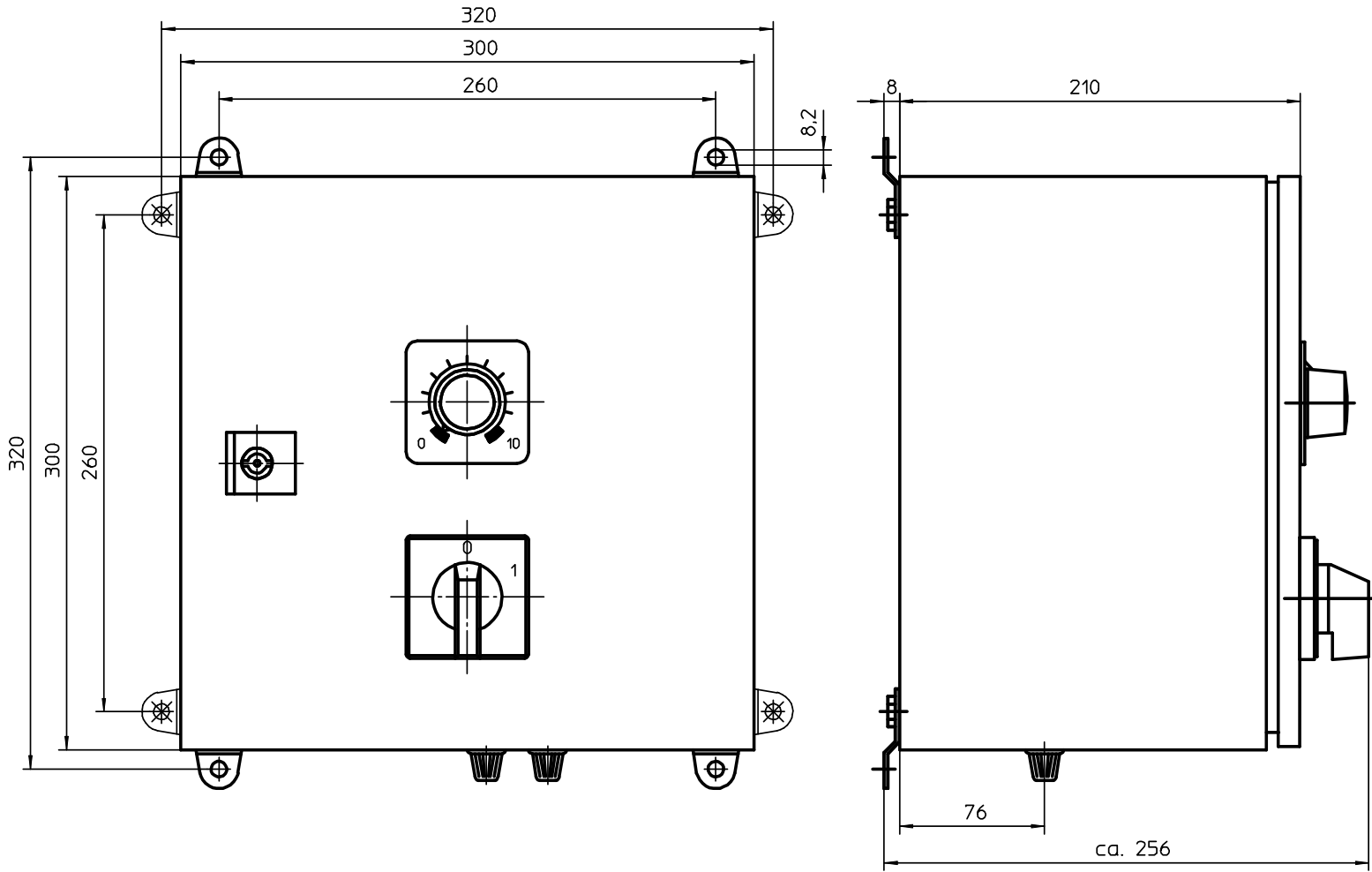
Weight: 2,2 kg

Degree of protection IP20

Please observe protection notes according to DIN 34		ISO 128		Welding-construction EN ISO 13920-BF		Scale 1:1	
Drawn		Date		Name		Description	
Checked		18.12.2002		Bellus		Controller	
Standard						SCE...-2	
M/Z						Drawing-no.	
						04-673-EN	
Status		Changes		Date		Name	
						Origin	
						Version	
						0	
						Page	
						1	
						of 1 P.	
						Replaced by	



Vibrationstechnik



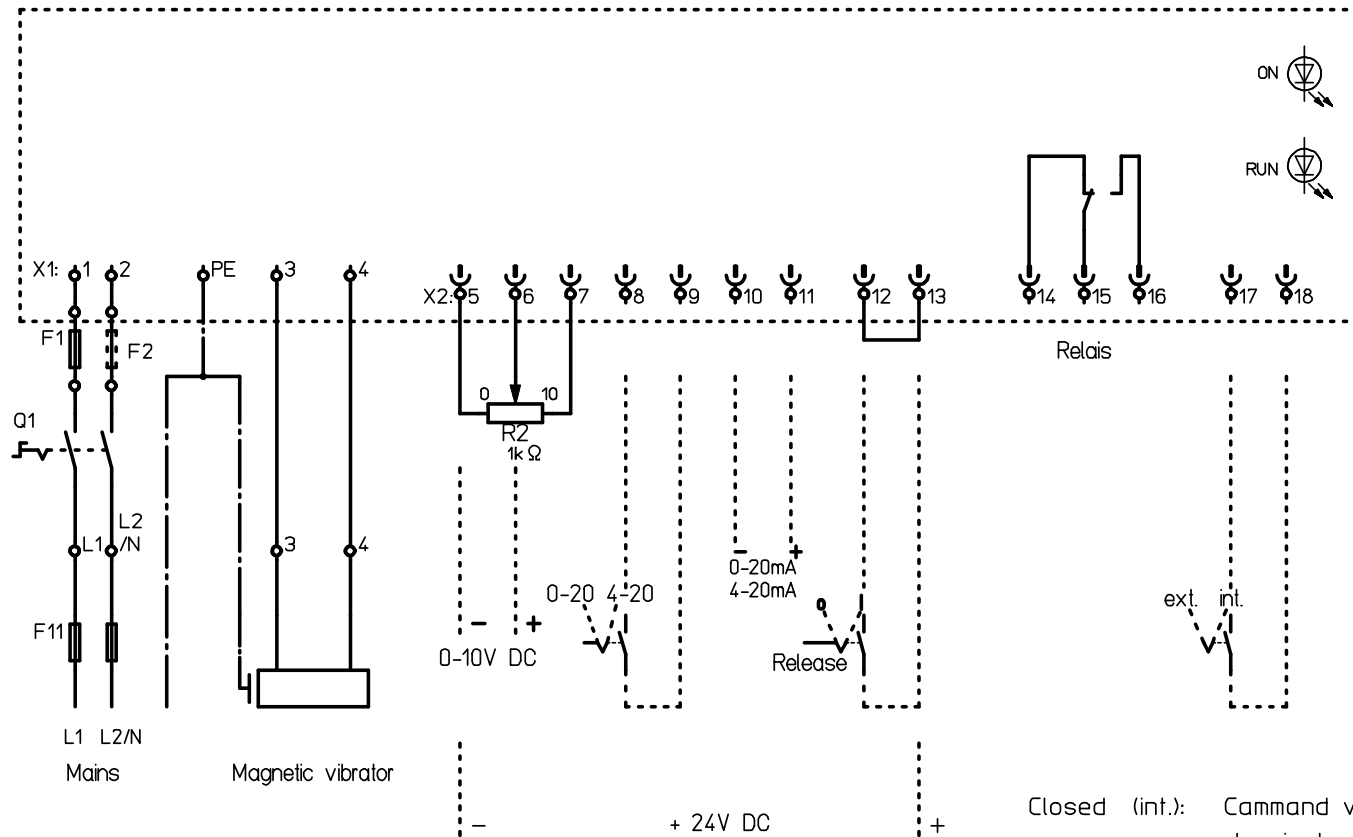
Weight: 6,0 kg
 Degree of protection IP55

Please observe protection notes according to DIN 34		Welding-construction EN ISO 13920-BF		Scale 1:1	
ISO 128		Date 18.12.2002		Name Beifuss	
		Checked		Description	
		Standard		Controller	
		M/Z		SC...-2	
		Drawing-no.		Version	
		04-674-EN		0	
Status		Changes		Page 1 of 1 P.	
Date		Name		Origin	
				Substitute for	
				Replaced by	



250
15

50
11



Switch Q1 and fuse F1 only with cabinet unit.

Closed (int.): Command value at terminals 5,6 and 7 is used terminals 10 and 11 are ignored.
 Open (ext.): Terminals 10 and 11 are used, terminals 5,6 and 7 are ignored.

Please observe protection notes according to DIN 34		Welding-construction EN ISO 13920-BF		Scale 1:1	
ISO 128		Date 18.12.2002		Name Beifuss	
Drawn		Checked		Description	
Standard M/2				Terminal plan	
				SCE...-2	
		Drawing-no. VIB-SE2-370-EN		Version 0	
Status		Changes		Page 1 of 1 P.	
Date		Name		Origin	
				Substitute for	
				Replaced by	

AVITEQ
Vibrationstechnik