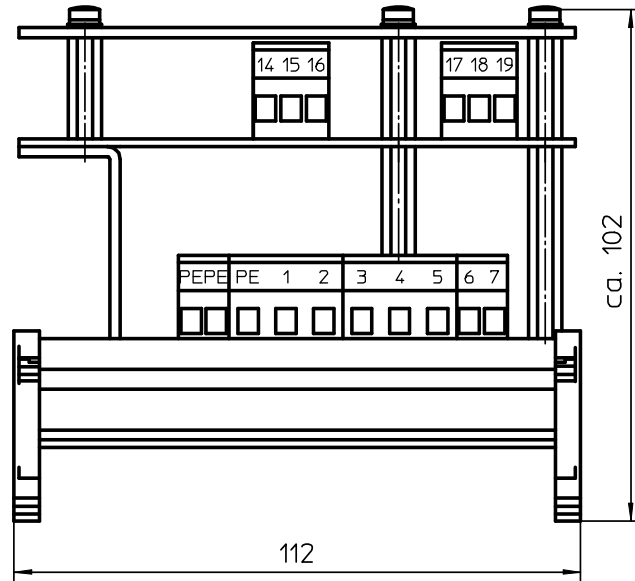
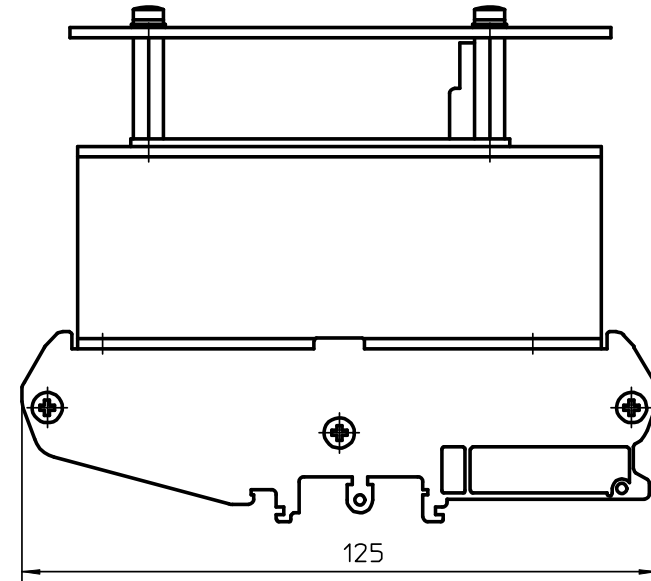


230  
15

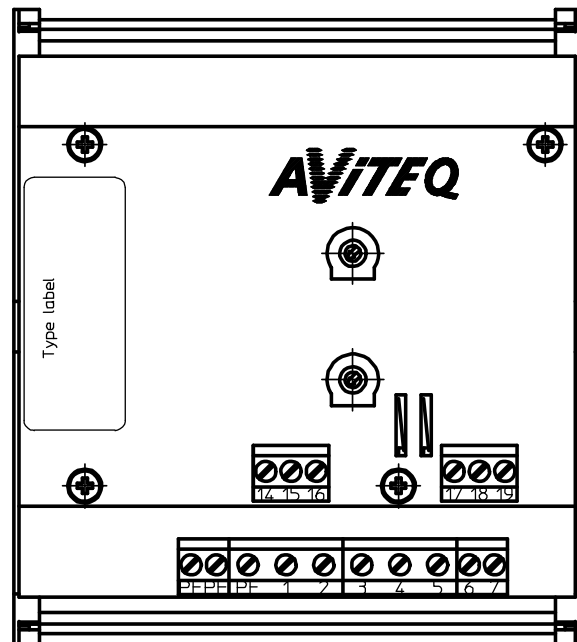


Weight 0,6 kg

Degree of protection IP00

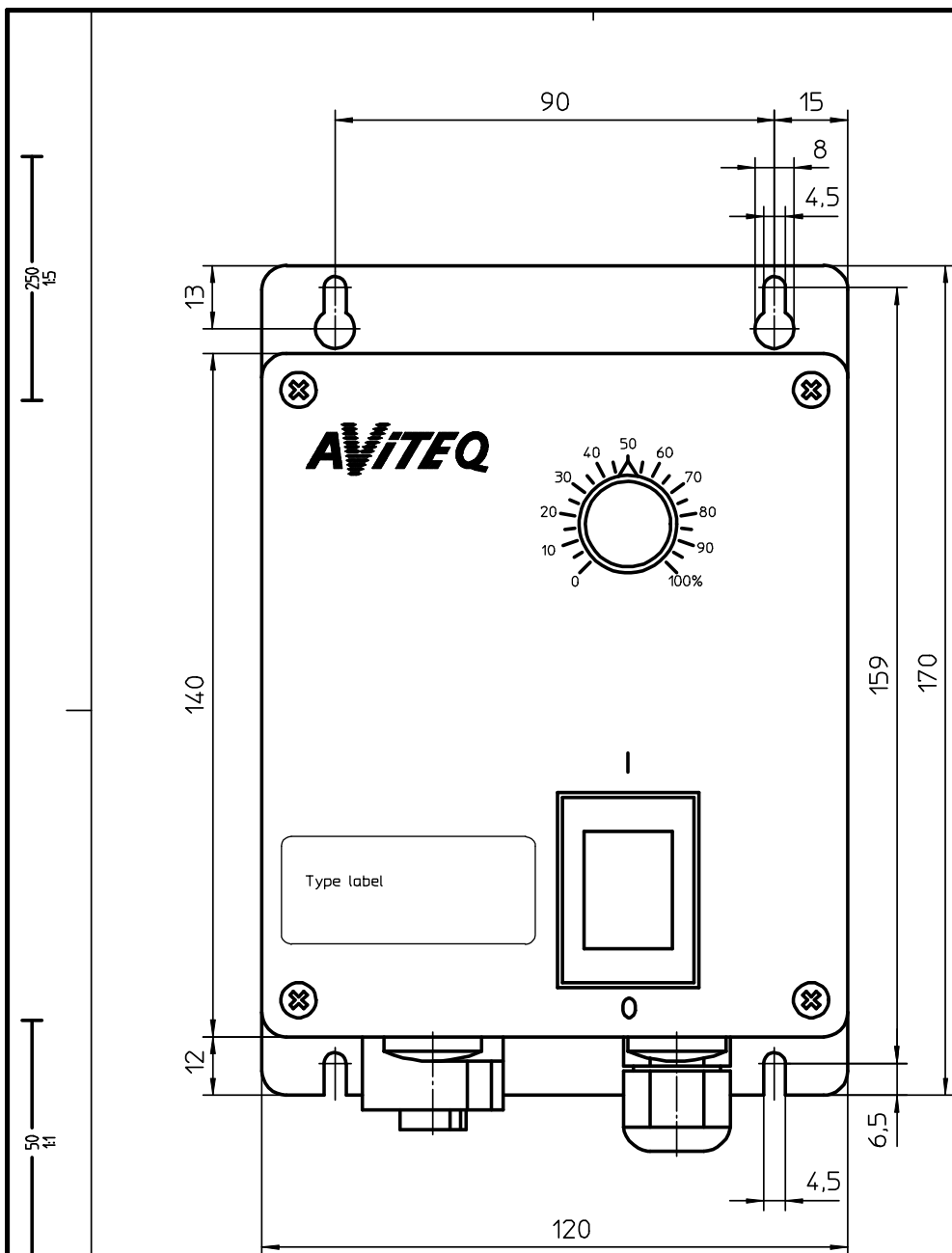


50  
11

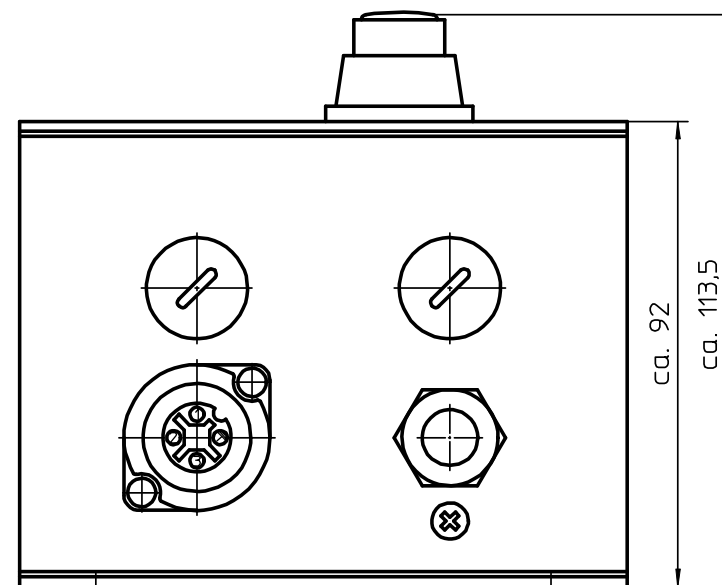


Type	Item number
SRAE-C100/00-1-1	23.772
SRAE-C100/01-1-1	23.774
SRAE-C 50/00-1-1	23.764
SRAE-C 50/01-1-1	23.766

Please observe protection notes according to DIN 34		ISO 128		Welding-construction EN ISO 13920-BF		Scale 1:1	
				Date		Name	
				18.12.2002		Belfuss	
				Checked		Description	
				Standard		Controller	
				A3 - ME10		SRAE-C.../-1-1	
				 <b>AVITEQ</b> <sup>®</sup> <i>Vibrationstechnik</i>		Drawing-no.	
						04-670-EN	
Status		Changes		Date		Version:	
						0	
						Page	
						1	
						of 1 P.	
						Replaced by	



Weight 1,3 kg Degree of protection IP54

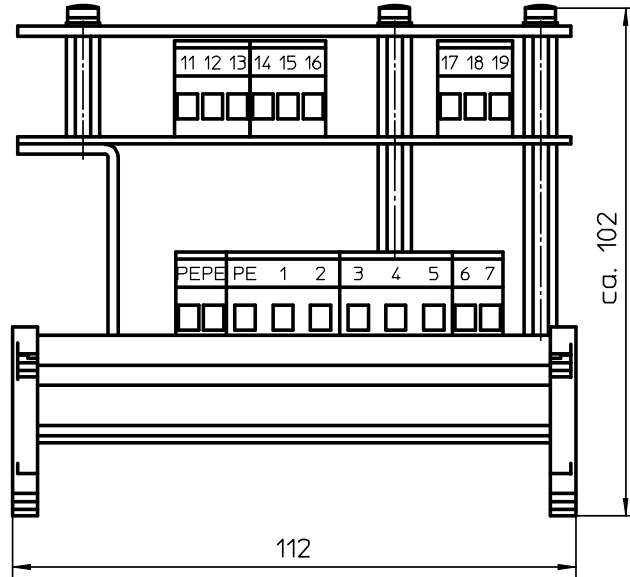


Type	Item number
SRA-C100/00-1-1	23.771
SRA-C100/01-1-1	23.773
SRA-C 50/00-1-1	23.763
SRA-C 50/01-1-1	23.765

Please observe protection notes according to DIN 34		 ISO 128		Welding-construction EN ISO 13920-BF		Scale 1:1	
		Date		Name		Description	
		16.12.2002		Beltfuss		Controller	
		Checked				SRA-C.../-1-1	
		Standard				Drawing-no.	
		A3 - ME10				04-668-EN	
						Version: 0	
						Page 1 of 1 P.	
Status	Changes	Date	Name	Origin	Substitute for	Replaced by	

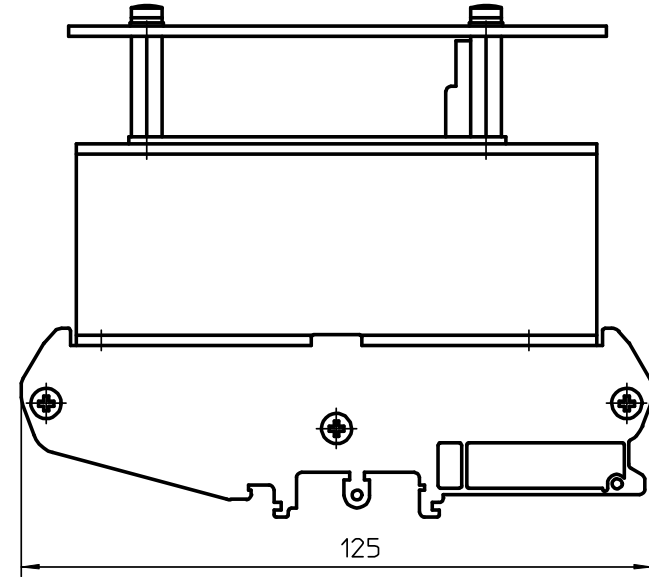
**AVITEQ**<sup>®</sup>  
Vibrationstechnik

50  
15

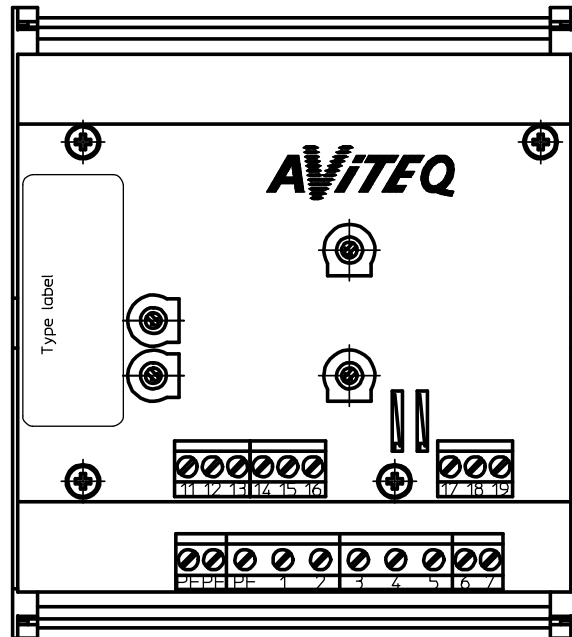


Weight 0.6 kg

Degree of protection IP00

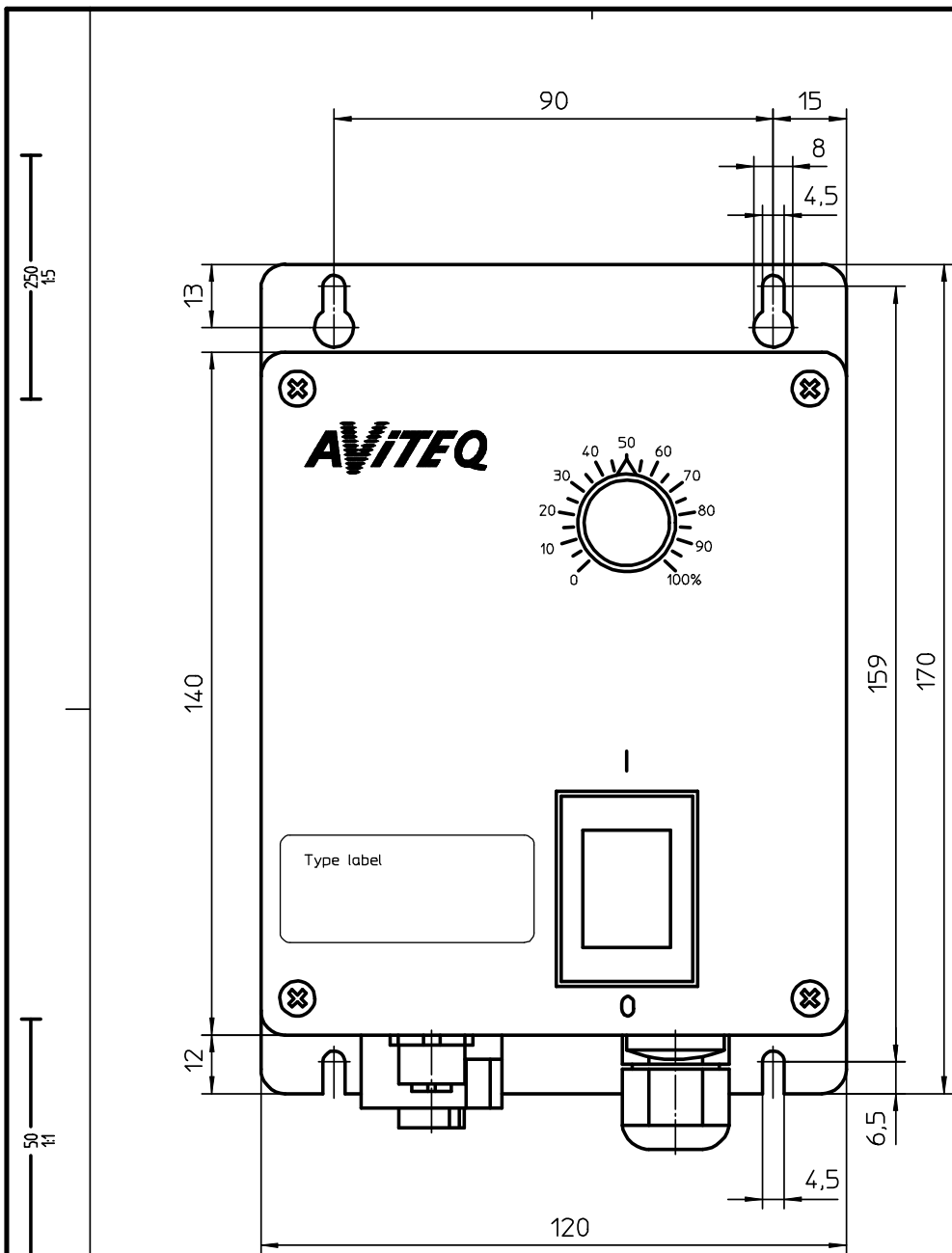


50  
11

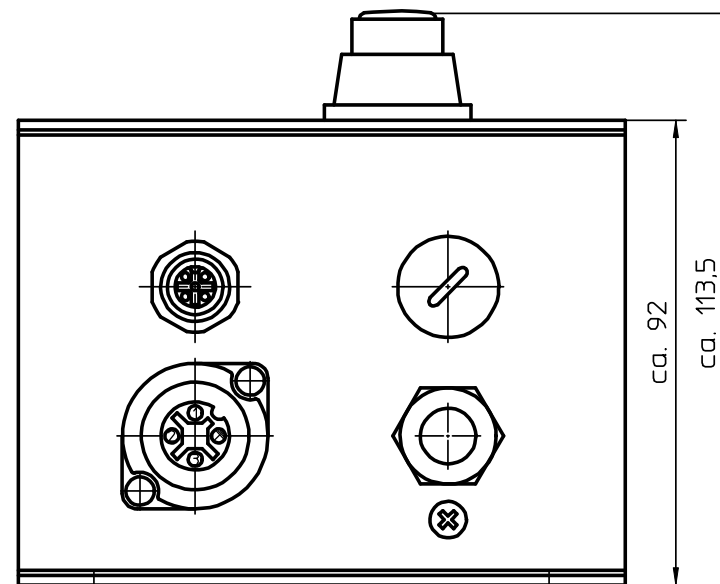


Type	Item number
SRAE-C100/00-2-1	23.776
SRAE-C100/01-2-1	23.778
SRAE-C 50/00-2-1	23.768
SRAE-C 50/01-2-1	23.770

Please observe protection notes according to DIN 34		Welding-construction EN ISO 13920-BF		Scale 1:1	
ISO 128		Date 18.12.2002		Name Belfuss	
		Checked		Description	
		Standard A3 - ME10		Controller	
		AVITEQ® Vibrationstechnik		SRAE-C.../...-2-1 (Special version)	
		Drawing-no. 04-671-EN		Version: 0	
		Status		Page 1 of 1 P.	
Changes		Date		Name	
Origin		Substitute for		Replaced by	



Weight 1,3 kg Degree of protection IP54



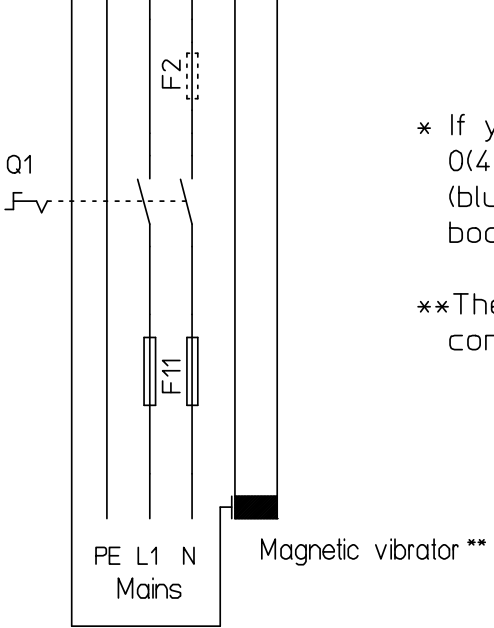
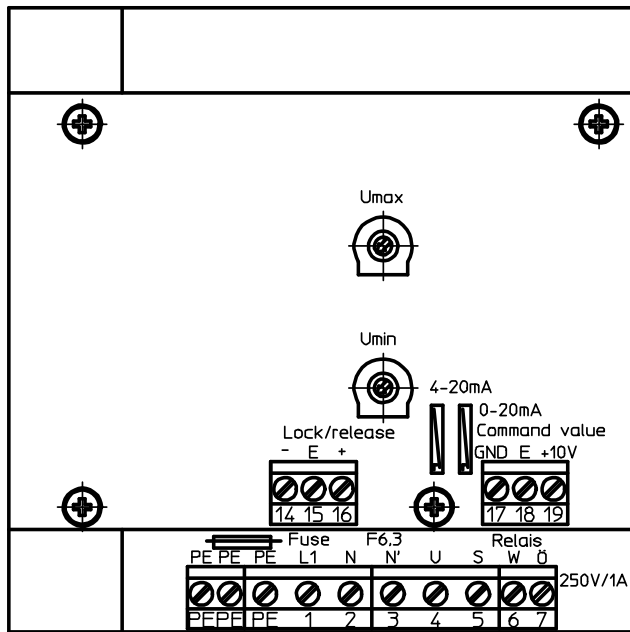
Type	Item number
SRA-C100/00-2-1	23.775
SRA-C100/01-2-1	23.777
SRA-C 50/00-2-1	23.767
SRA-C 50/01-2-1	23.769

Please observe protection notes according to DIN 34		Welding-construction EN ISO 13920-BF		Scale 1:1	
ISO 128		Date 18.12.2002		Name Belfuss	
		Checked		Description	
		Standard A3 - ME10		Controller	
		AVITEQ® Vibrationstechnik		SRA-C.../...-2-1 (Special version)	
		Drawing-no. 04-669-EN		Version- 0	
		Substitute for		Page 1 of 1 P.	
Status	Changes	Date	Name	Origin	Replaced by

250  
15

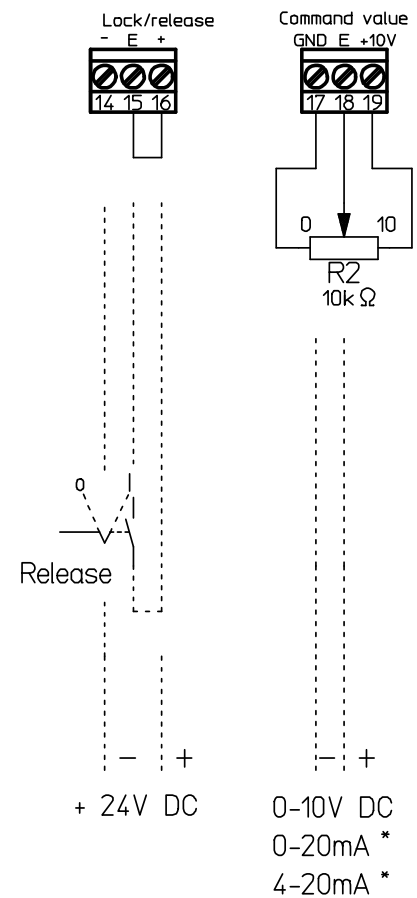
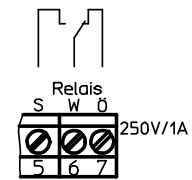
50  
11

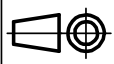
Switch Q1 only with cabinet unit.



\* If you use a command value of 0(4)...20 mA, check that the (blue) spring clips on the control board have the correct setting.

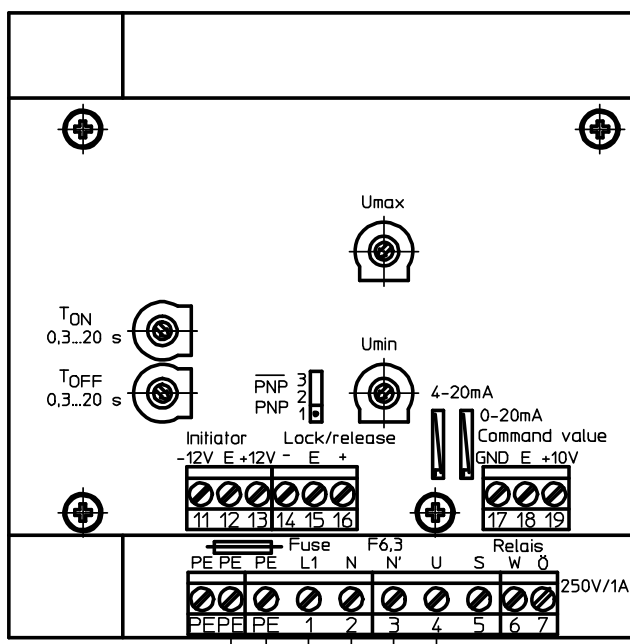
\*\*The cabinet unit has a pluggable connection for magnetic vibrator.



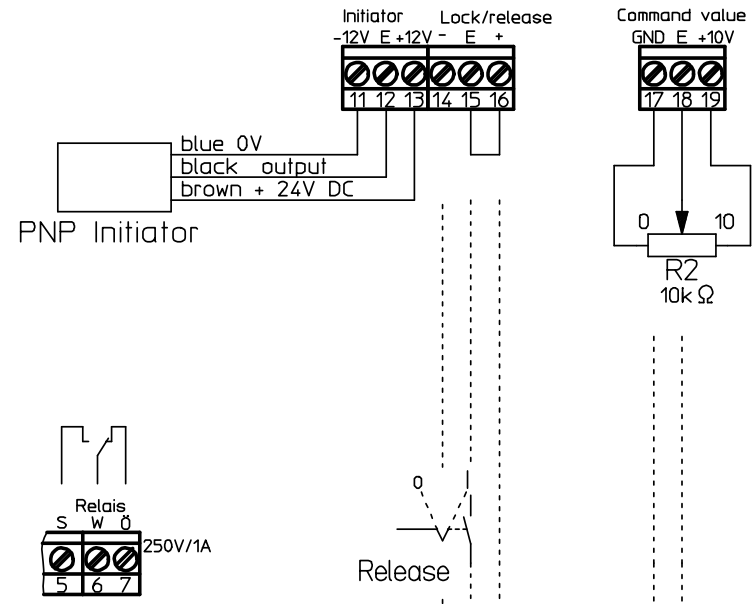
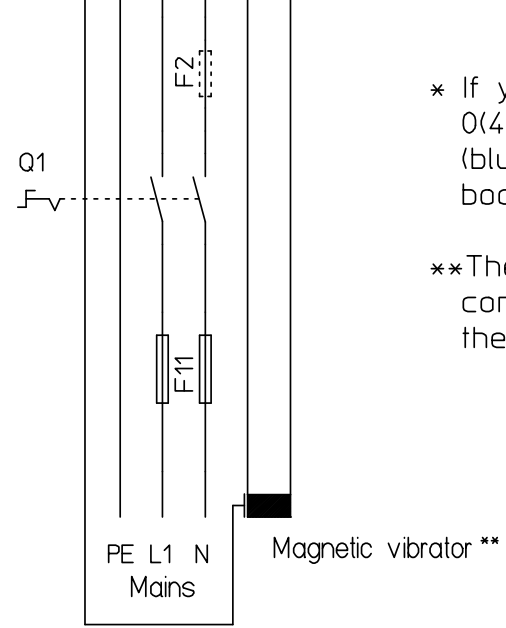
Please observe protection notes according to DIN 34		 ISO 128		Welding-construction EN ISO 13920-BF		Scale 1:1		
				Date 18.12.2002		Name Beifuss		
				Checked		Description <b>Terminal plan</b> SRAE-C.../-1-1		
				Standard				
				A3 - HE10				
				<b>AVITEQ</b> Vibrationstechnik				Drawing-no. <b>04-675-EN</b>
				Status Changes Date Name Origin				Version: <b>0</b>
								Page <b>1</b> of 1 P.
								Replaced by

250  
15

50  
11



Switch Q1 only with cabinet unit.



\* If you use a command value of 0(4)...20 mA, check that the (blue) spring clips on the control board have the correct setting.

\*\*The cabinet unit has a plugable connection for the initiator and the magnetic vibrator.

+ 24V DC

0-10V DC

0-20mA \*

4-20mA \*

Please observe protection notes according to DIN 34		Welding-construction EN ISO 13920-BF		Scale 1:1	
ISO 128		Date 18.12.2002		Name Belfuss	
Drawn		Checked		Description	
Standard		A3 - ME10		Terminal plan	
Status		Changes		SRAE-C.../..-2-1 (Special version)	
Date		Name		Drawing-no. 04-676-EN	
Origin		Substitute for		Version: 0	
		Replaced by		Page 1 of 1 P.	

